

Location:



T1400-PB-13 with Galvanized Steel Integral Rail

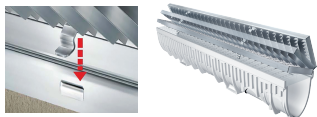
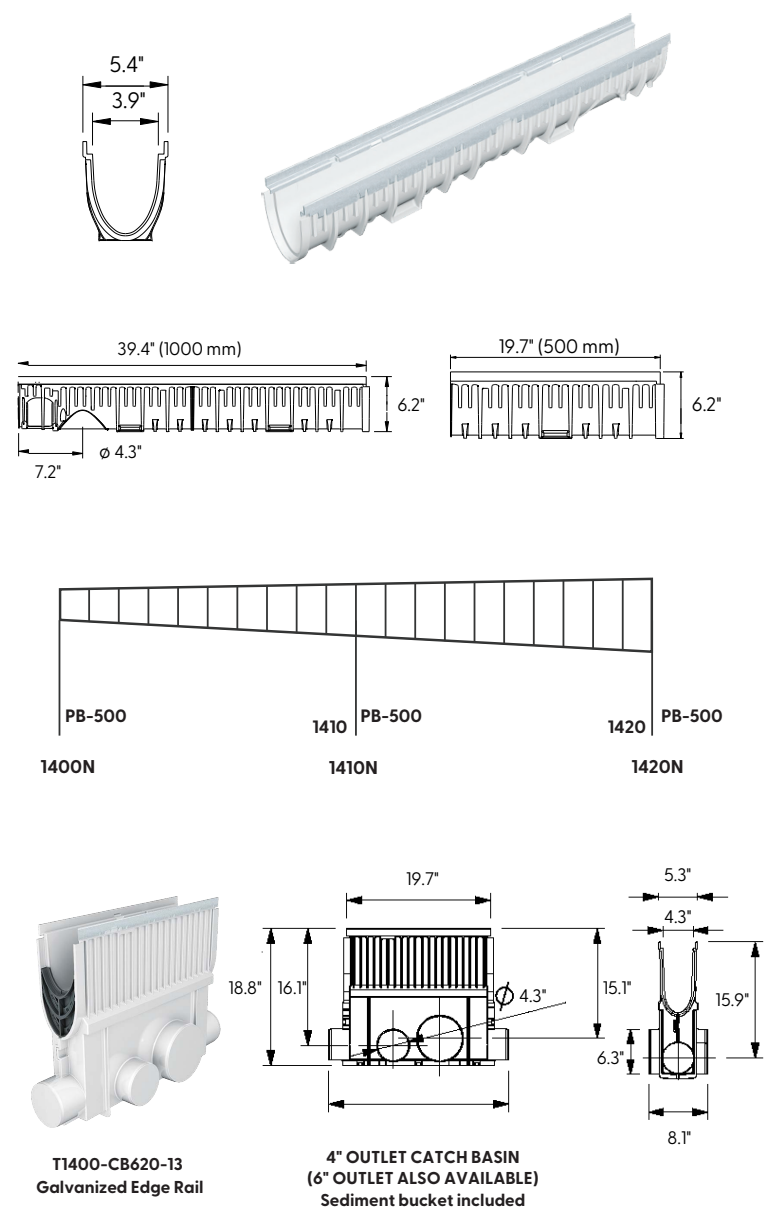


Specification:

MIFAB®'s T1400-PB-13 series channels shall be 39.4" (1000 mm) long with a 4" (100 mm) internal width and radius bottom. Interconnecting channel sections are made of high strength Glass Fiber Reinforced Polyester (GRP) and available in sloping (0.5%) and non-sloping (neutral) channels. Each channel comes with galvanized edge rail. Directional Change Channels available at neutral locations.

Installation devices, plastic end cap/outlet cap, catch basins and bottom outlets are available accessories. Grates (separate Specification Sheets) are available in in Load Class A-E in a variety of materials. Grates utilize the patented "Clipfix" locking mechanism.

CHANNEL MODEL NO.	BODY TYPE	INVERT BODY DEPTH		OVERALL BODY DEPTH		MAXIMUM FLOW GPM	WEIGHT (LESS GRATE) Lbs.
		E1 (Min.)	E2 (Max.)	E1 (Min.)	E2 (Max.)		
T1400N-PB-13	Neutral	5.78"	5.78"	6.23"	6.23"	334.97	7.94
T1400N-PB-500-13	Neutral	5.78"	5.78"	6.23"	6.23"	334.97	4.41
T1400N-PB-500-DC-13	Neutral	5.78"	5.78"	6.23"	6.23"	334.97	4.41
T1401-PB-13	Sloped	5.78"	5.98"	6.23"	6.42"	432.66	8.16
T1402-PB-13	Sloped	5.98"	6.18"	6.42"	6.62"	432.66	8.32
T1403-PB-13	Sloped	6.18"	6.38"	6.62"	6.82"	432.66	8.49
T1404-PB-13	Sloped	6.38"	6.57"	6.82"	7.01"	432.66	8.66
T1405-PB-13	Sloped	6.57"	6.77"	7.01"	7.21"	432.66	8.83
T1406-PB-13	Sloped	6.77"	6.97"	7.21"	7.41"	432.66	8.99
T1407-PB-13	Sloped	6.97"	7.16"	7.41"	7.60"	432.66	9.16
T1408-PB-13	Sloped	7.16"	7.36"	7.60"	7.80"	432.66	9.33
T1409-PB-13	Sloped	7.36"	7.56"	7.80"	8.00"	432.66	9.50
T1410-PB-13	Sloped	7.56"	7.75"	8.00"	8.19"	704.84	9.67
T1410N-PB-13	Neutral	7.75"	7.75"	8.19"	8.19"	586.19	9.57
T1410N-PB-500-13	Neutral	7.75"	7.75"	8.19"	8.19"	586.19	4.78
T1410N-PB-500-DC-13	Neutral	7.75"	7.75"	8.19"	8.19"	586.19	4.78
T1411-PB-13	Sloped	7.75"	7.95"	8.19"	8.39"	702.84	9.83
T1412-PB-13	Sloped	7.95"	8.15"	8.39"	8.59"	702.84	10.00
T1413-PB-13	Sloped	8.15"	8.34"	8.59"	8.78"	702.84	10.17
T1414-PB-13	Sloped	8.34"	8.54"	8.78"	8.98"	702.84	10.34
T1415-PB-13	Sloped	8.54"	8.74"	8.98"	9.18"	702.84	10.50
T1416-PB-13	Sloped	8.74"	8.93"	9.18"	9.38"	702.84	10.67
T1417-PB-13	Sloped	8.93"	9.13"	9.38"	9.57"	702.84	10.84
T1418-PB-13	Sloped	9.13"	9.33"	9.57"	9.77"	702.84	11.01
T1419-PB-13	Sloped	9.33"	9.53"	9.77"	9.97"	702.84	11.17
T1420-PB-13	Sloped	9.53"	9.72"	9.97"	10.16"	702.84	11.34
T1420N-PB-13	Neutral	9.72"	9.72"	10.16"	10.16"	802.54	11.42
T1420N-PB-500-13	Neutral	9.72"	9.72"	10.16"	10.16"	802.54	5.71
T1420N-PB-500-DC-13	Neutral	9.72"	9.72"	10.16"	10.16"	802.54	5.71



CLIPFIX ADVANTAGE

The MEA Glass Fiber Reinforced Polyester (GRP) channels have been designed for our universal CLIPFIX grate locking mechanism. The system (channel and grate) provides longitudinal shift protection.

Job Name: _____	Page No: _____
Section No: _____	Contractor: _____
Schedule No: _____	Purchase Order No: _____

Revision Date: 2022-02-16

CALIFORNIA PROPOSITION 65 WARNING. This product contains chemicals known to the State of California to cause cancer and birth defects or other reproductive harm.